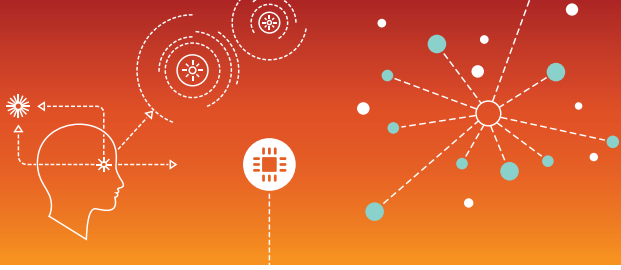


QUALCOMM®

AR6005

Single-band 1-stream 11n
for Mobile





AR6005

Single-band 1-stream 11n
for Mobile



Most power-efficient
802.11/b/g/n WLAN
implementation for mobile
and embedded applications.

Qualcomm Mobile Platform Solutions

The combination of Qualcomm 802.11n wireless solutions for mobile WLAN, Bluetooth® and Location, with our dominant position in the home, office and Metro Wi-Fi networking markets enables a worldwide wireless ecosystem based on the company's technologies. Qualcomm Qualcomm-engineered 11n technologies provide the most reliable wireless performance and connectivity anywhere you go. Our mobile platform solutions give customers the unsurpassed ability to:

- Build the most power-efficient devices
- Design for the smallest form factor applications
- Achieve the most cost-effective designs
- Deliver Qualcomm-class performance in a wide array of mobile devices, all featuring a high level of design and integration ease

Solution Highlights

- 1-stream 802.11n provides highest throughput and superior RF performance for handhelds
- Advanced 802.11n features
 - HT20 (2.4 GHz)
 - Full/Half guard interval
 - Frame aggregation
 - Space time block coding (STBC)
 - Low density parity check (LDPC) encoding
- Optimized for maximum throughput and low power consumption
- Highest level of on-chip integration using CMOS technology
 - Radio/MAC/Baseband
 - Patented Qualcomm Efficient Power Amplifier (EPA™) for high transmitter output power
 - Power management unit
 - LNA
- Smallest WLAN solution footprint for design flexibility
- Superior coexistence with Bluetooth co-located devices
 - Support for 2-, 3-, and 4-wire handshaking protocols
 - Enhanced PTA schemes and algorithms for optimal throughput at range
- Supports popular interfaces used in low power embedded designs
 - SDIO 2.0 and GSPI
- Chip-scale packaging with 0.4 mm pitch for on-board designs
 - Small solution footprint to fit the sleekest and most innovative form factors

Product Overview

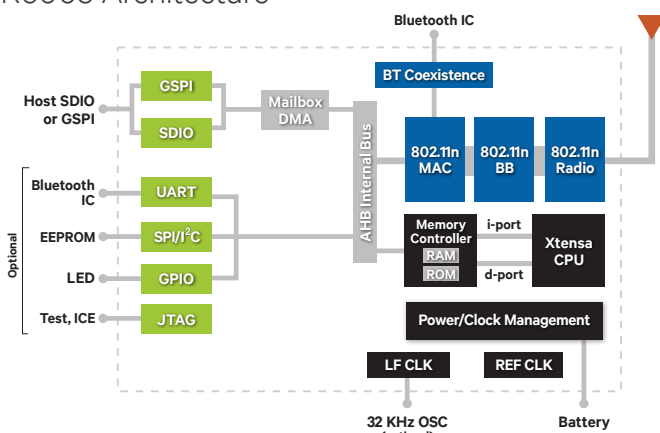
The AR6005 is the third-generation Wi-Fi chip from Qualcomm optimized for the throughput, size, and energy efficiencies needed of mobile and embedded devices. With its tiny footprint and energy-saving qualities, the AR6005 rounds out our comprehensive ecosystem of 1-stream 11n solutions, targeting smartphones, mobile gaming and portable CE devices. With increased data throughput capabilities offered by 11n, the AR6005 achieves up to 48 Mbps in the 2.4 GHz band in 20 Mhz mode. The AR6005 features the lowest current consumption of any 11n mobile WLAN solution on the market today to significantly extend battery life, while supporting the power demands of transmitting large media files. The AR6005 also employs the company's on-chip Efficient Power Amplifier™ (EPA) technology to reduce the power typically consumed by internal PAs, while delivering the output power of an external PA.

Throughput and Range

The AR6005 also enhances its rate-over-range performance above the coverage improvements inherent in the 802.11n MAC and PHY, by leveraging advanced optional 11n features such as Space Time Block Coding (STBC) and low density parity check (LDPC). In addition, the AR6005 features Universal Wireless Cooperation™, a suite of advanced wireless coexistence techniques to significantly enhance the simultaneous operation of WLAN and Bluetooth on a mobile device.

Qualcomm has taken integration to a new level with the AR6005 to enable 11n-class performance in a wider variety of mobile handsets and handheld products. The AR6005 eliminates many external components compared to competitive mobile WLAN solutions.

AR6005 Architecture





Smallest footprint and high RBOM integration design flexibility and lowest cost

AR6005 Radio

- 2.4 GHz
- Integrated CMOS Efficient Power Amplifier (EPA™), LNA
- Adaptive radio biasing for low-power or high-performance modes
- Industry-leading receive sensitivity
- No external EEPROM required for RF calibration

AR6005 MAC/Baseband/Processor

- IEEE 802.11b/g/n
- Integrated RISC processor
- Support for industry standard QoS schemes (802.11e, WMM, WMM-PS)
- Hardware accelerated security, including WAPI (China)

AR6005 Specifications

On-chip functionality	Single-chip MAC/BB/RF/PA/LNA
Frequency Band	2.4 GHz
Network Standard	802.11b, 802.11g, 802.11n (1-stream)
Modulation Modes	CCK and OFDM with BPSK, QPSK, 16 QAM, 64 QAM
Hardware Encryption	WEP, WPA/WPA2 (AES and TKIP), WAPI
Quality of Service (QoS)	WMM, WMM-PS, 802.11e
Communications Interface	SDIO 2.0 and GSPI HCI UART over SDIO
Peripheral Interface	UART, SPI, I2C, 26 GPIO pins
Supported Data Rates	
IEEE 802.11b	1 – 11 Mbps
IEEE 802.11g	6 – 54 Mbps
IEEE 802.11n (2.4 GHz)	7.2 – 72.2 Mbps
Physical Specifications	CSP with 0.4 mm pitch
Bluetooth Coexistence	Supports 2-, 3-, and 4-wire handshaking protocols Bluetooth™ 3.0 + HS ready

Qualcomm Atheros is a wholly owned subsidiary of Qualcomm Technologies, Inc. and a leading provider of wireless and wired technologies for the mobile, networking, computing and consumer electronics markets. We're focused on inventing technologies that connect and empower people in ways that are elegant and accessible to all.

Our broad connectivity portfolio allows us to offer our global customer base high-performance, end-to-end solutions, featuring Wi-Fi®, GPS, Bluetooth®, FM, Ethernet, HomePlug™ Powerline and PON technologies. By leveraging substantial expertise in RF, signal processing, software and networking we can deliver highly-integrated, low-power, system-level solutions that enable developers to create high-performance, differentiated products.

For more information, please visit us online @ qca.qualcomm.com

